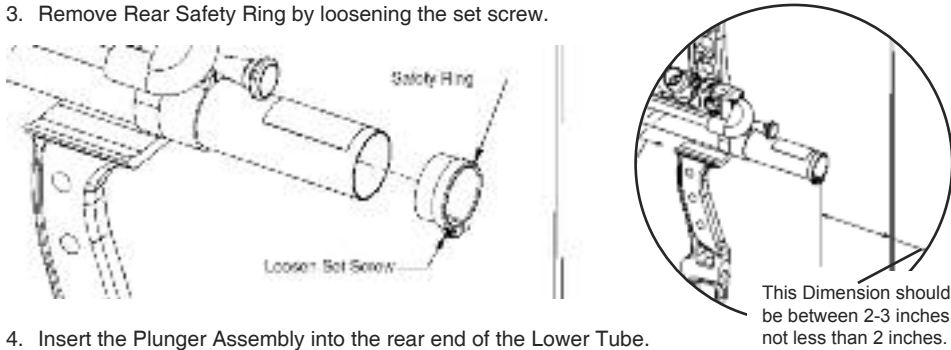


# AIROW GUN® ARROW REPLACEMENT INSTRUCTIONS

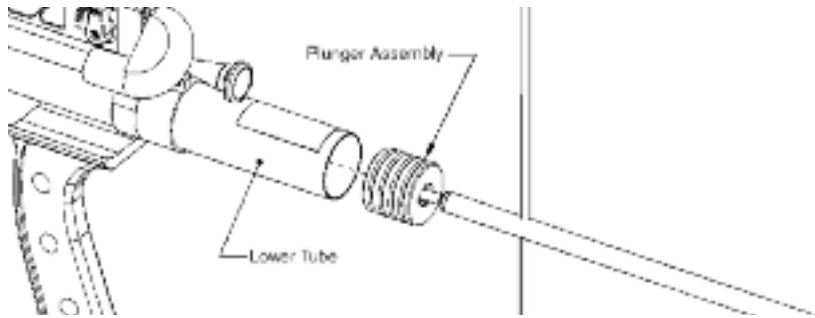
## WARNING!!!

Read and understand instructions before installation. Arrow shaft **MUST** be cut to proper length before shooting. **If arrow shaft is not cut to correct length, product failure and injury may result!!!**

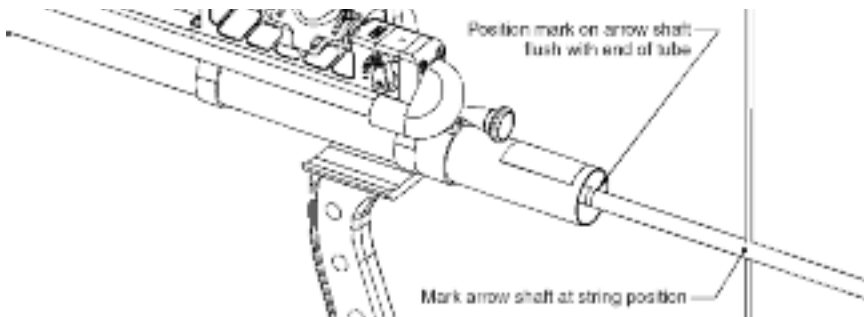
1. Align the back of the air chamber with the bow string. This distance should be **between 2 to 3 inches** and **not less than 2 inches**. To adjust this dimension, remove bolts then adjust the position of the Airow Gun. When dimension is correct, retighten bolts.
2. Adjust position of Airow Gun so that it is square to the string. Once square, tighten all Berger Hole and Riser Mounting Hole bolts.
3. Remove Rear Safety Ring by loosening the set screw.



4. Insert the Plunger Assembly into the rear end of the Lower Tube.



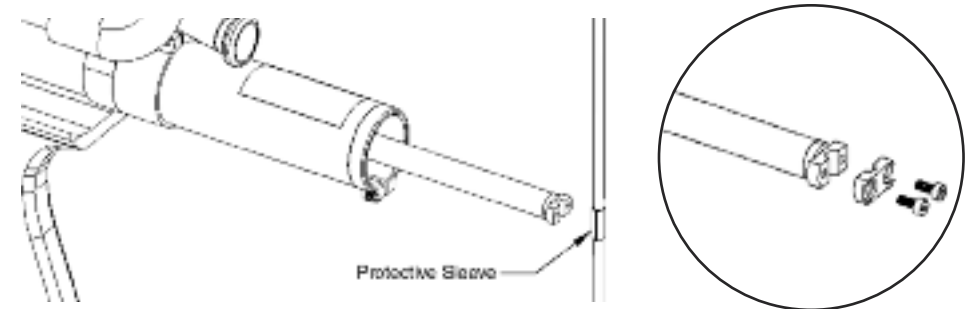
5. Position mark on arrow shaft flush with end of tube. Mark arrow shaft with a pencil at string position.
6. Remove Plunger Assembly and cut arrow shaft on pencil mark.



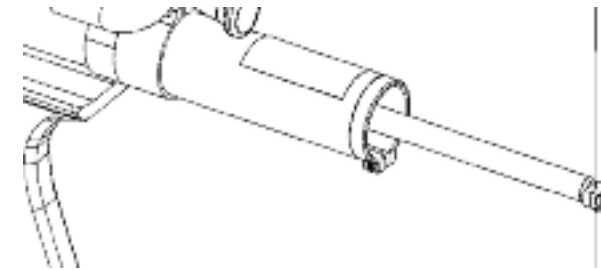
7. Use an archery "hot melt" or other suitable nock glue (not provided) to glue nock assembly into end of arrow shaft. Hold in position until glue cures.



9. Insert Plunger Assembly back into Lower Tube again. Reinstall Safety Ring and tighten set screw.
10. Install the Protective Sleeve around string. Remove screws & Nock Cap.



11. Place the Nock onto the Protective Sleeve and replace the Nock Cap and screws. Tighten screws.



12. The Airow Gun must now be adjusted so that the arrow shaft is in the center of the Large Air Chamber Tube. Make necessary adjustments and retighten bolts.

Designed & Manufactured by Romney Motion, Inc.

romney motion

# AIROW GUN®

Customer Service  
866-349-1130